

NEX PUMP®

NexPump Ai

The World's Most Intelligent and Reliable Sump Pump

NexPump® Advanced Intelligent System

Key Features

- 
- A dark blue, semi-transparent world map is centered in the background of the slide, showing the continents of North America, South America, Europe, and Africa. The map is overlaid on a dark grid pattern.
- Auto Notification System
 - Automatic Self-Testing
 - Operates on Electricity
 - 12V Battery Back-up
 - Dual High Capacity Pumps
 - Dual Independent Sensors
 - Primary/Back-up Modes
 - Battery Life Monitor
 - 20-AMP Charger
 - Plumbing Alert System
 - Pump Hour Tracking
 - User Friendly Display
 - Audible Alarm
 - 2160 GPH* (Ai Single)
 - 3420 GPH* (Ai Jet)
 - 4320 GPH* (Ai Dual)
 - 5580 GPH* (Ai Turbo)
 - 6840 GPH* (Ai Rage)

5 Models with Options

NEX PUMP®

Standard Series

- Ai Single** (Single Pump without Notification)
- Ai Single-AN** (Single Pump with Notification for Phone Line Connection)
- Ai Single-ENi** (Single Pump with Notification for Wired Internet Connection, EMAIL ONLY)
- Ai Single-ENiw** (Single Pump with Notification for Wireless Internet Connection, EMAIL ONLY)
- Ai Single-ANi** (Single Pump with Notification for Wired Internet Connection)
- Ai Single-ANiw** (Single Pump with Notification for Wireless Internet Connection)

- Ai Dual** (Dual Pump without Notification)
- Ai Dual-AN** (Dual Pump with Notification for Phone Line Connection)
- Ai Dual-ENi** (Dual Pump with Notification for Wired Internet Connection, EMAIL ONLY)
- Ai Dual-ENiw** (Dual Pump with Notification for Wireless Internet Connection, EMAIL ONLY)
- Ai Dual-ANi** (Dual Pump with Notification for Wired Internet Connection)
- Ai Dual-ANiw** (Dual Pump with Notification for Wireless Internet Connection)

Extreme Series

- Ai Jet** (Single Pump without Notification)
- Ai Jet-AN** (Single Pump with Notification for Phone Line Connection)
- Ai Jet-ENi** (Single Pump with Notification for Wired Internet Connection, EMAIL ONLY)
- Ai Jet-ENiw** (Single Pump with Notification for Wireless Internet Connection, EMAIL ONLY)
- Ai Jet-ANi** (Single Pump with Notification for Wired Internet Connection)
- Ai Jet-ANiw** (Single Pump with Notification for Wireless Internet Connection)

- Ai Turbo** (Dual Pump without Notification)
- Ai Turbo-AN** (Dual Pump with Notification for Phone Line Connection)
- Ai Turbo-ENi** (Dual Pump with Notification for Wired Internet Connection, EMAIL ONLY)
- Ai Turbo-ENiw** (Dual Pump with Notification for Wireless Internet Connection, EMAIL ONLY)
- Ai Turbo-ANi** (Dual Pump with Notification for Wired Internet Connection)
- Ai Turbo-ANiw** (Dual Pump with Notification for Wireless Internet Connection)

- Ai Rage** (Dual Pump without Notification)
- Ai Rage-AN** (Dual Pump with Notification for Phone Line Connection)
- Ai Rage-ENi** (Dual Pump with Notification for Wired Internet Connection, EMAIL ONLY)
- Ai Rage-ENiw** (Dual Pump with Notification for Wireless Internet Connection, EMAIL ONLY)
- Ai Rage-ANi** (Dual Pump with Notification for Wired Internet Connection)
- Ai Rage-ANiw** (Dual Pump with Notification for Wireless Internet Connection)

Extreme Series Models

Ai Rage



Ai Turbo



Ai Jet



Standard Series Models

Ai Dual



Ai Single



Phone Call and E-Mail Notification

Calls & Email during...

- Pump Activations
- Power Outages
- Low Battery
- Battery Issues
- Sensor Errors
- Plumbing Errors
- Pump Issues
- High Water Alert System
- And more...



Sample E-Mail and Phone Notification

Initial E-Mail

Hello John Wayne,
This is your NexPump System Auto Notification for Serial
Number '00001839'

Message 1: **Pump 1 Activated!**

Message 2: **AC Power Loss!**

*For explanation, possible causes and remedies regarding this
alert, please visit:*

<http://www.nexpump.com/content/support-downloads.html>

Click '**Search the Knowledge Base**'
Look Under Topic '**Alert Information**'

Thank you for purchasing a NexPump System!

Your Pump Statistics ONLY Brought to you by NexPump Inc.

Pump 1 - 284 Hours

Pump 2 - 4 Hours

Total Operating Time - 915 Days

Auto Tests Performed - 1830

Manual Tests Performed - 10

Battery Amp Hours - 110 A/H

Phone Monitor On - 'Y'

Mode - 'B'

Confirmation E-Mail

Hello John Wayne,
This is your NexPump System Auto Notification Call
Confirmation

Serial Number '00001839' Call Number '4237' Caller ID Info
DATE = 0228, TIME = 0025, NMBR = 6305555555, NAME =
Wayne, John

Called '6305555555' on '02/28/11' at '00:25:47CT' - Call
Answered - Left Message!

Called '6305555555' on '02/28/11' at '00:25:47CT' - Call
Answered - Left Message!

Email Sent on '02/28/11' at '00:25:47CT' to
'sample@customer1.com'

Email Sent on '02/28/11' at '00:25:47CT' to
'sample@customer2.com'

Email Sent on '02/28/11' at '00:25:47CT' to
'sample@contractor1.com'

Email Sent on '02/28/11' at '00:25:47CT' to
'sample@contractor2.com'

Thank you for purchasing a NexPump System!

Hear a Notification Phone Call

Play Notification

Internet Screens



STATUS **IP CONFIG** **EMAIL** **COMMAND** **TIME** **WIFI CONFIG**

Status

Model:Dual-ANiw Serial Number:NPB00000001

Pump 1: ● OK	Pump 2: ● OK
Sensor 1: ● Connected	Sensor 2: ● Connected
AC Power: ● OK	Alarm: ● Enabled
Charger: ● Charge Off	Battery: ● OK
Cooling Fan: ● OK	Mode: ● Primary
VRef: ● OK	Memory: ● OK
Configuration: ● Unlocked	Update Mode: ● On
LAN Monitor: ● On	SSID: GCBase

[Pump 1 Stats](#) [Pump 2 Stats](#) [Battery](#)

16 Hours (0) 0 Hours (0) Wet 110 A/H, Replace in 1022 Days

[Power Up Time](#) [Auto Tests](#) [Manual Tests](#) [NP Firmware](#) [ETH Type](#) [ETH Firmware](#)

284 Days	583	14	5.10.0000	WiFi	5.10
----------	-----	----	-----------	------	------

Manual IP Configuration: (This information will be used when DHCP is disabled)

DHCP Disabled Enabled

IP Address

Netmask

Gateway Address

DNS



STATUS **IP CONFIG** **EMAIL** **COMMAND** **TIME** **WIFI CONFIG**

Status E-Mail Configuration

Model:Dual-ANiw Serial Number:NPB00000001

E-Mail Status: (Only Needed to Receive Status E-Mails)

E-Mail To Max 80

E-Mail Host Max 40

E-Mail User Max 40

E-Mail Password Max 40 Show Password

Send Recurring Time (Change in Command Console) Send Status EMail after every 2 Self-Tests

E-Mail Port

- Port 25
- Port 465 (Enable SSL if Used)
- Port 587

SSL

- Disabled
- Enabled (Set E-Mail Port to 465 if Enabled)

Last Send Status SUCCESS,02-16-15 05:41AM

NexPump Website
Copyright © 2003-2015, NexPump Inc.
Image V5.10.0000



STATUS **IP CONFIG** **EMAIL** **COMMAND** **TIME** **WIFI CONFIG**

Time Configuration

Model:Dual-ANiw Serial Number:NPB00000001

Current Time Info:

Time	Date	Time Offset/Zone	Time Format
09:01AM	02-16-15	-6,CST	12 Hour

Time Format 24 Hour Format 12 Hour Format

Time Zone:

NexPump Website
Copyright © 2003-2015, NexPump Inc.
Image V5.10.0000

Advanced Real-Time Diagnosing:

- Sensors
- Pumps
- Batteries
- Plumbing
- Pump Hour Tracking
- Electronic Backups
- and more...

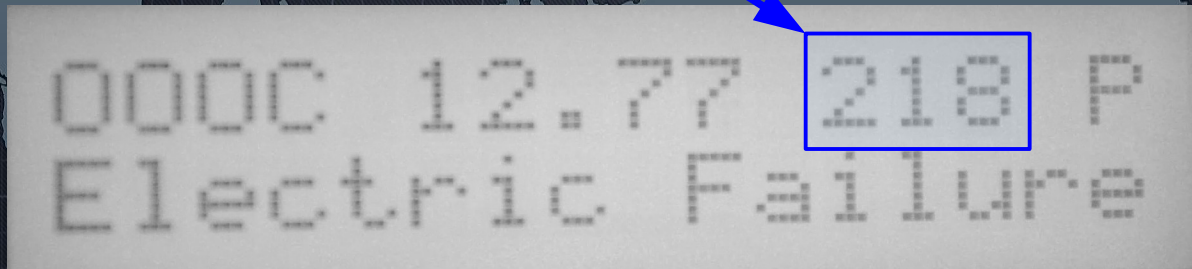
Every 12 Hours an Auto test is performed

- Pumps
- Batteries
- Battery Charger
- Notification Module
- Phone Line (Configurable)
- LAN Connection (Configurable)
- System Electronics



Calls & Emails if an issue is detected

Battery Hour Countdown Timer



State-of-the-Art monitor system calculates pump activity and battery life, providing an accurate “hours remaining” that is shown on the NexPump display when running on battery power.

Pump Information

Typical Discharge Rates

2160 GPH* (Ai Single)

4320 GPH* (Ai Dual)

6840 GPH* (Ai Rage)

3420 GPH* (Ai Jet)

5580 GPH* (Ai Turbo)

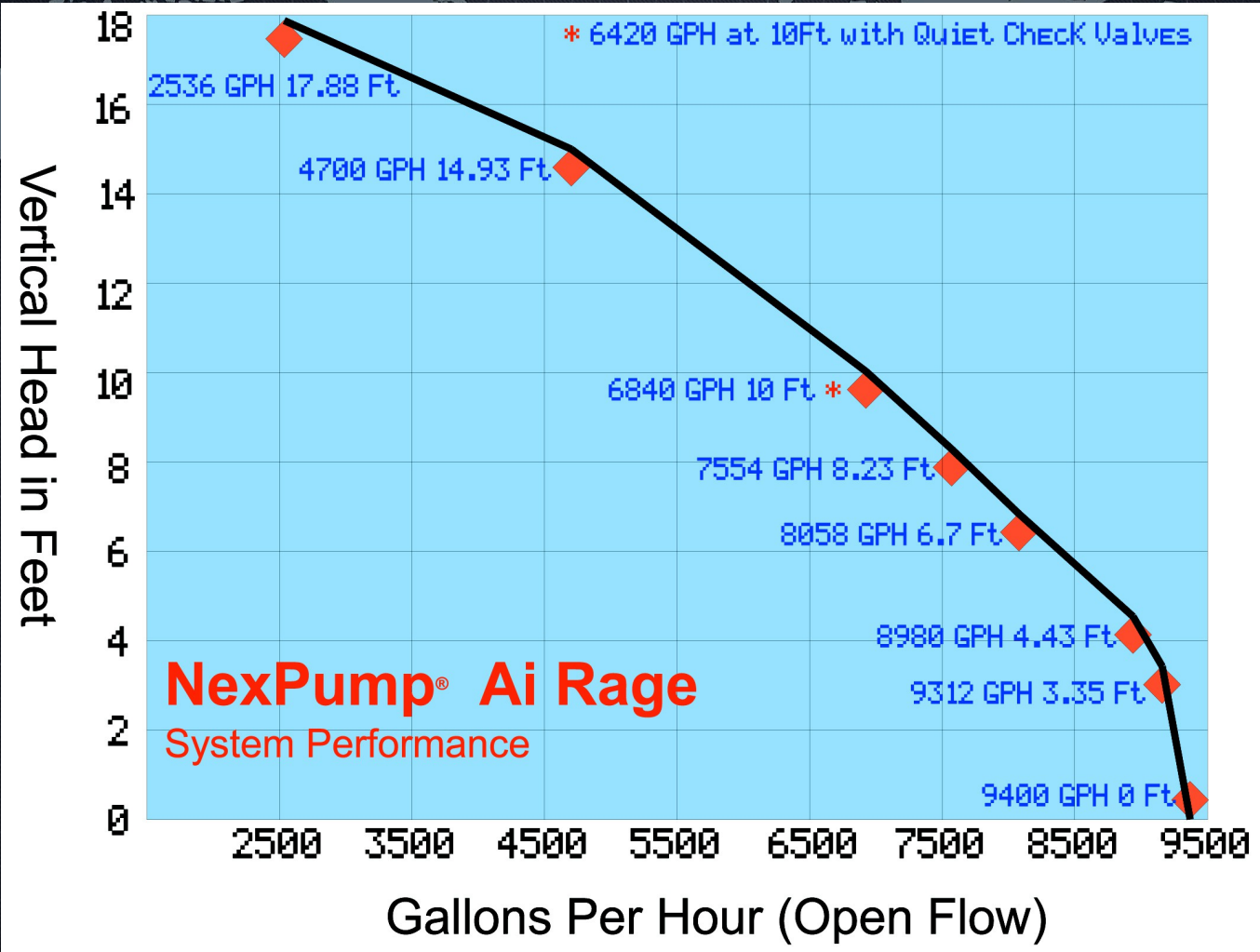
- Dual High Capacity Pumps
- Pump Hour Counter
- Redundancy
- Virtual Water Sensing on Pumps (Emergency Mode)
- Extensive Pump Testing
- Efficient
- Compact Footprint



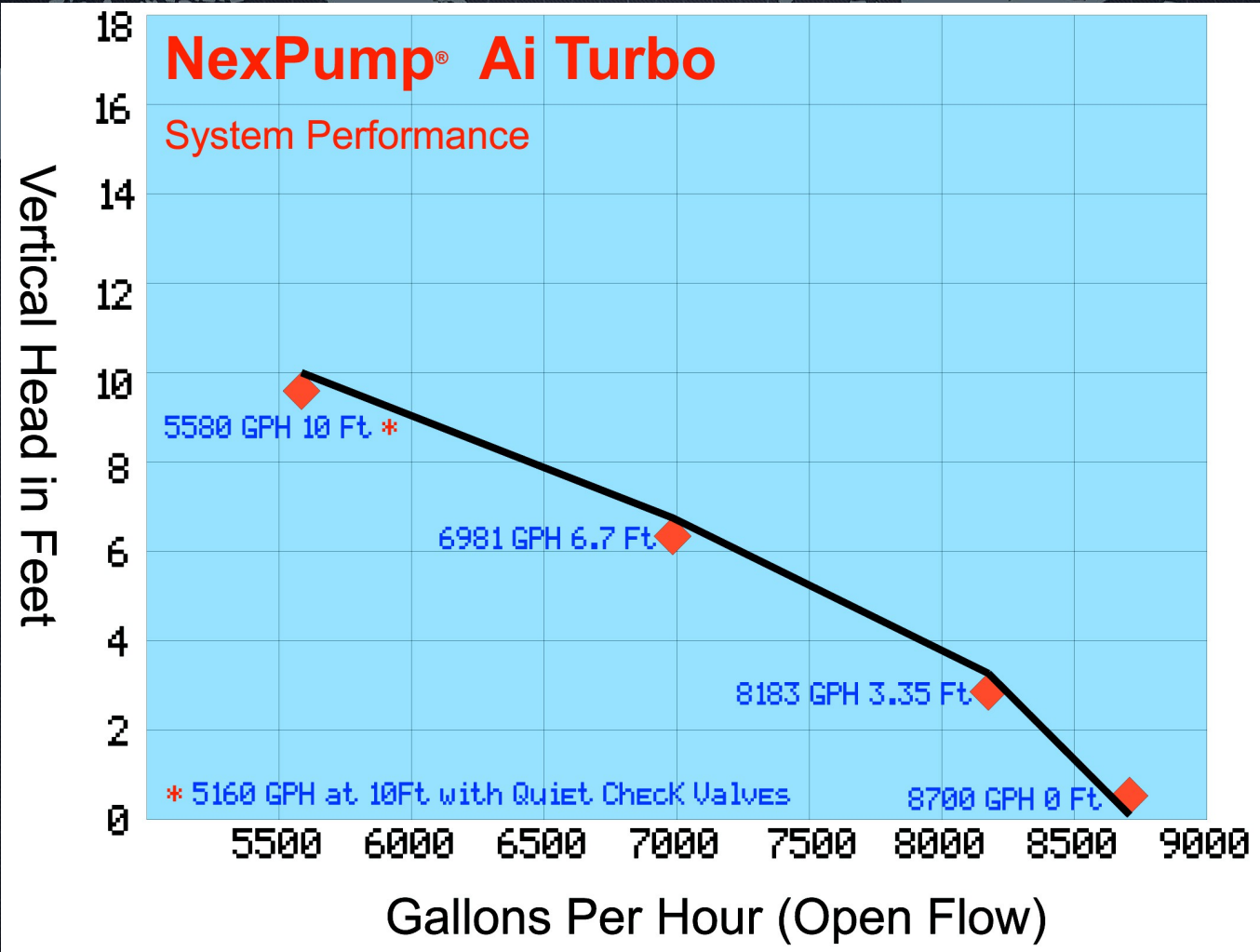
*10 Feet Vertical Lift, Open Flow (Measured with Precision Flow Meter) Typical GPH when Operating under Electric Power
Approximate Reduction under AC Power Loss: 15-20%



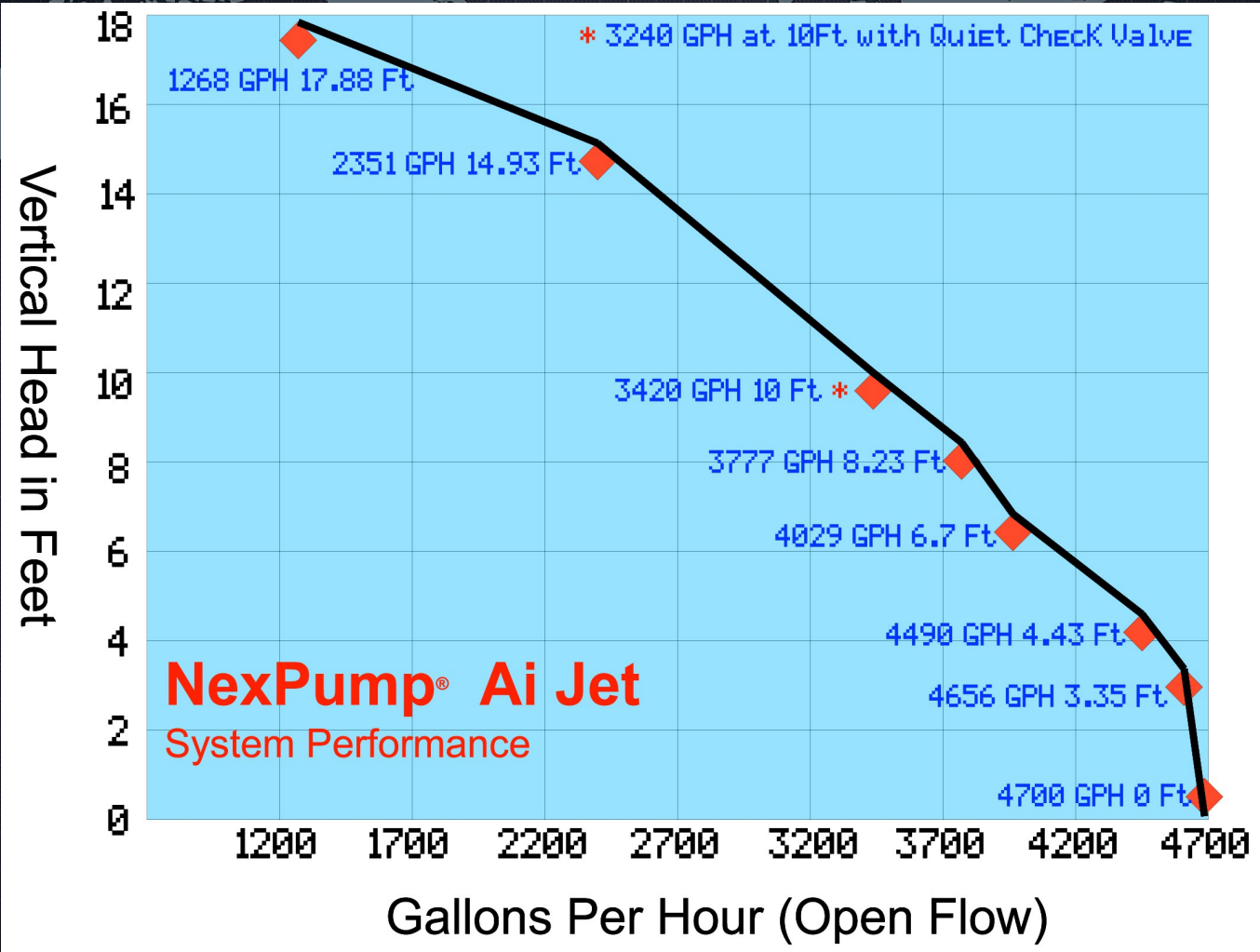
NexPump® Performance Graph 1 of 5



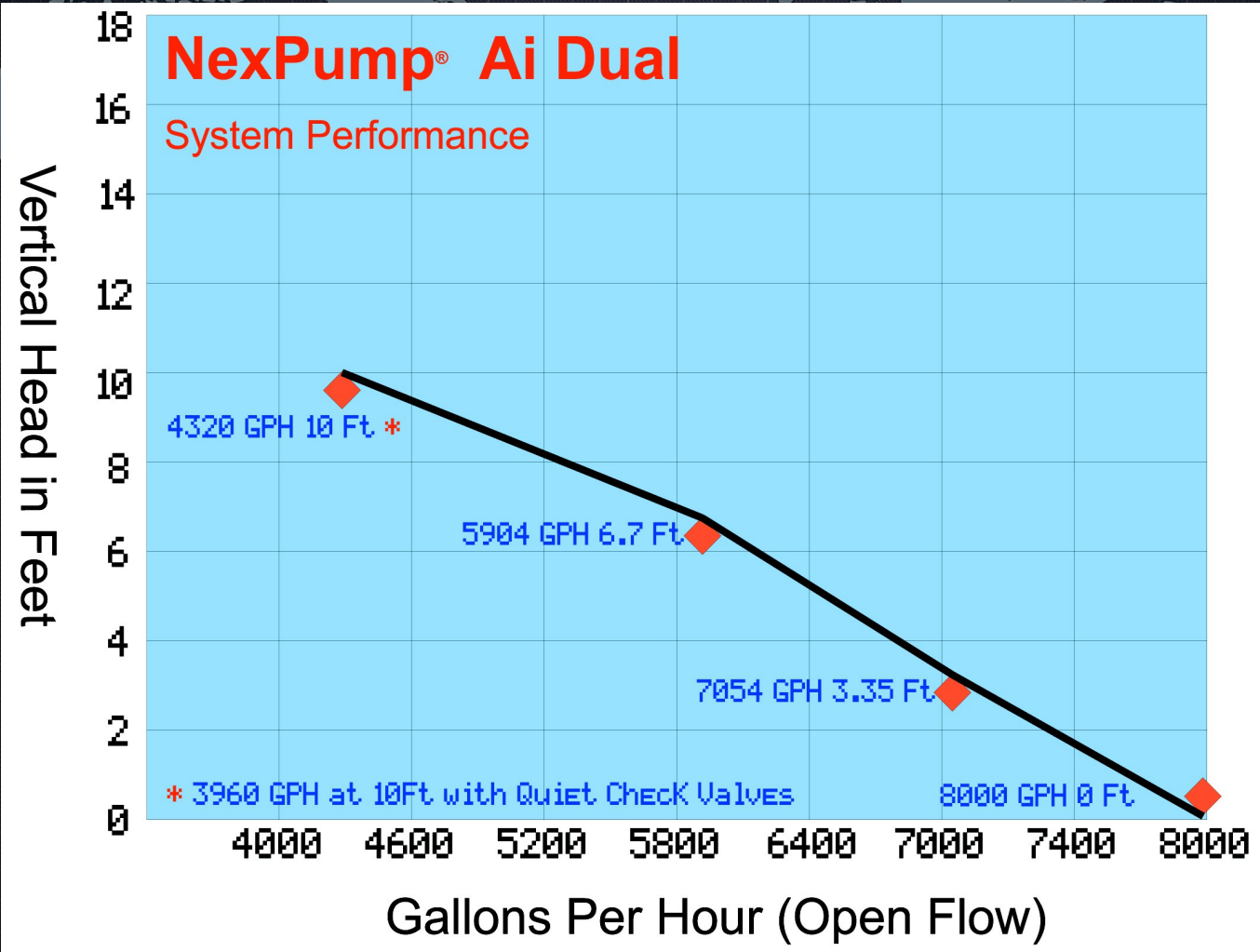
NexPump® Performance Graph 2 of 5



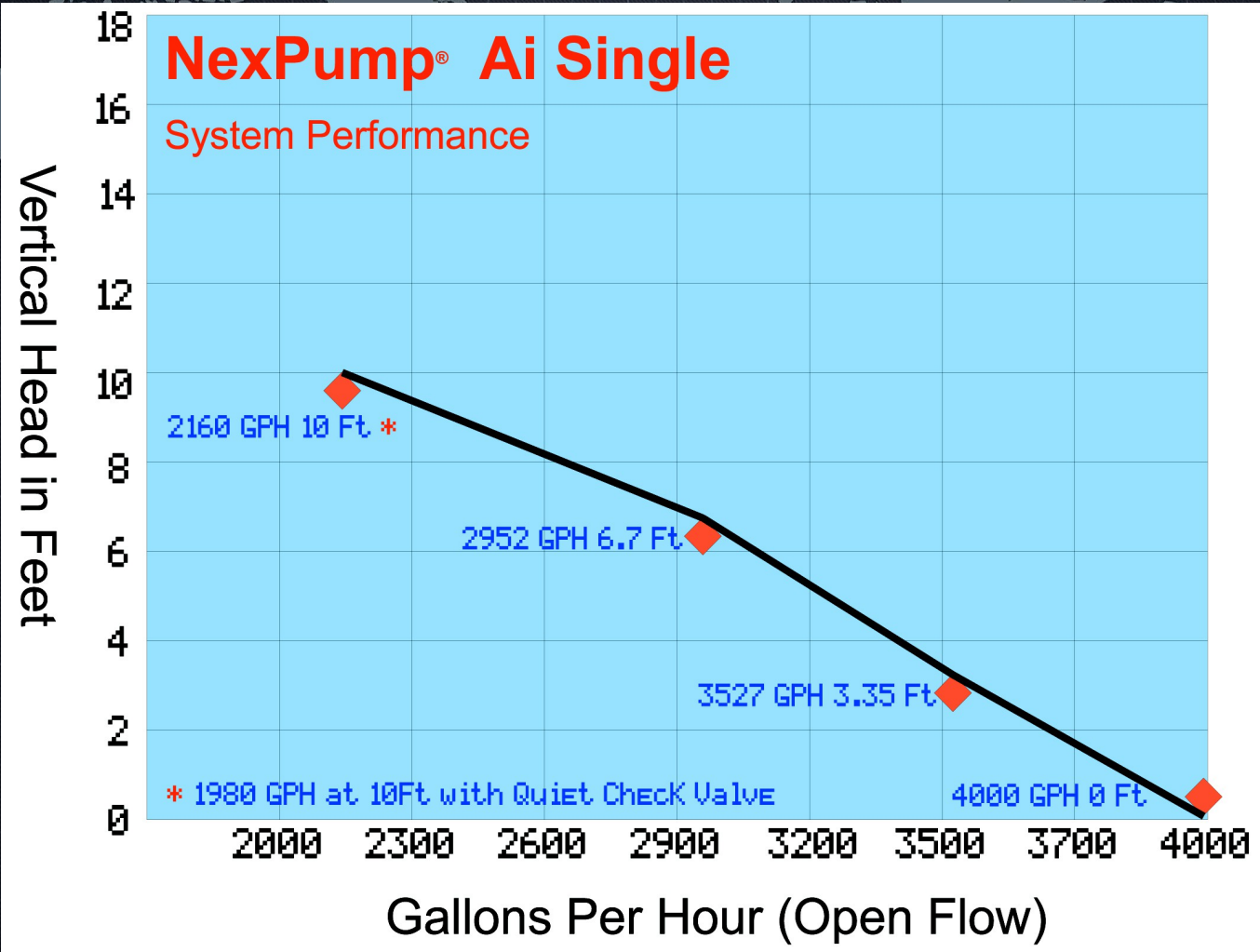
NexPump® Performance Graph 3 of 5



NexPump® Performance Graph 4 of 5



NexPump® Performance Graph 5 of 5



Dual Independent Sensors

- Redundancy
- Real-Time Diagnostics of Sensors
- Set at any Level
- High Water Alert System
- System Emergency Mode*
- High Reliability
- Small Foot Print



* If any sensor becomes disconnected, The NexPump will automatically activate the emergency mode that operates the pumps to still protect you.

Exclusive Features to NexPump®

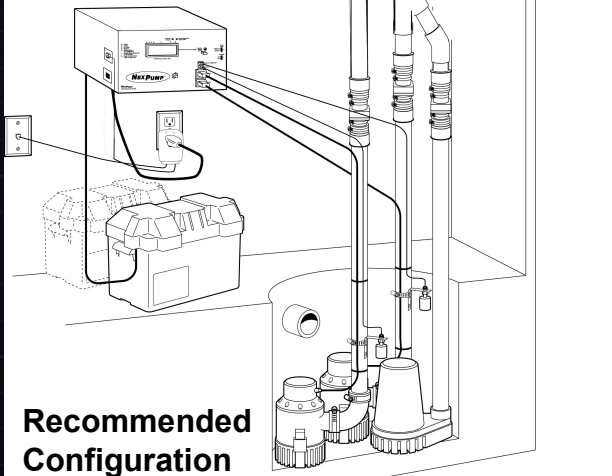
- 
- A dark blue, semi-transparent world map is centered in the background of the slide, showing the outlines of continents and major landmasses.
- Phone Call & Email Notification
 - Internet Connectivity (Wired and Wireless Version Available)
 - Dual Pumps Systems Operating Independently up to 114 GPM (6840 GPH)*
 - Real-Time Diagnostics
 - Self Diagnostic Check every 12 hrs
 - Hour Countdown timer when Operating on Battery Power
 - Pump Life Hour Tracking
 - System Emergency Mode
 - Plumbing Error Detection
 - Virtual Sensing Pumps
 - Dual Independent Senors
 - Electronic System Backups

Installation Diagrams

- Backup or Primary Mode
- Radon Friendly
- Typical Sump Pump Installation
- Diagnose Installation Errors
- Detachable Wires for Easier Routing

Backup Pump

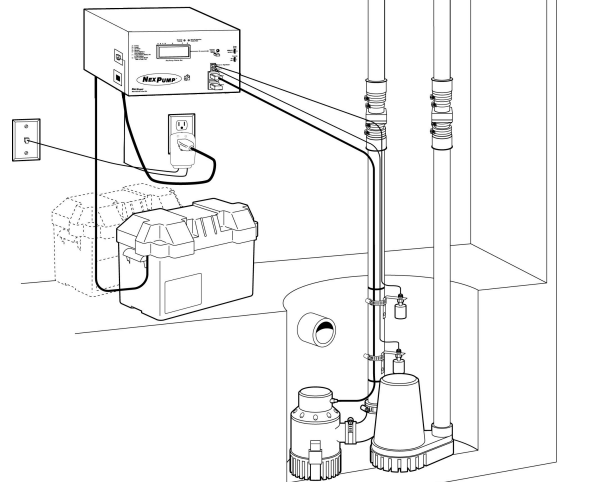
Ai Turbo, Ai Rage,
Ai Dual



**Recommended
Configuration**

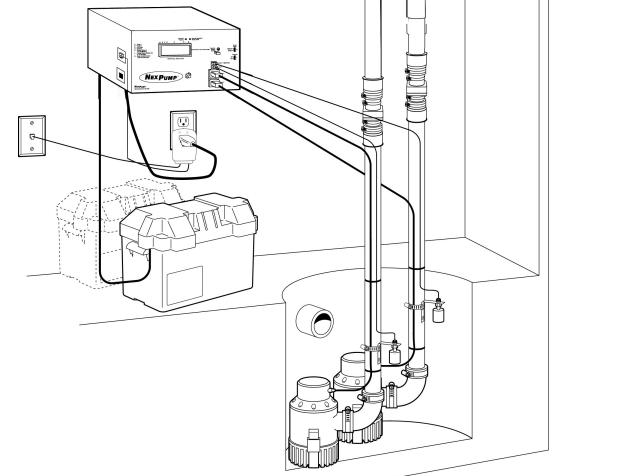
Backup Pump

Ai Single, Ai Jet



Primary Pump

Ai Turbo, Ai Dual



Additional Accessories



Mounting Rack

Battery Boxes



Deep Cycle Marine Batteries

105, 110, 130 & 145 Amp Hours Available
AGM or Wet Cells

Check Valves



21st Century Advanced Technology



The logo for NEX PUMP, featuring the words "NEX PUMP" in a bold, italicized, sans-serif font, enclosed within a red oval border.

NEX PUMP

A dark blue silhouette of a world map is centered in the background of the slide, showing the outlines of continents and major landmasses.

NexPump Sales

Ph: 630-365-4639

Fax: 630-365-6919

Email: sales@nexpump.com

www.nexpump.com